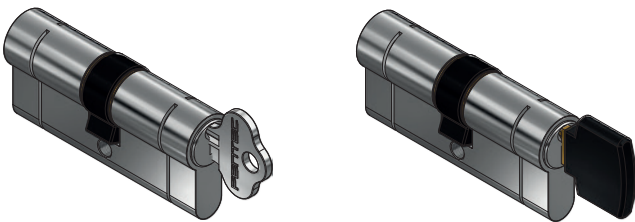


Fenestration Solutions Australia are excited to introduce a range of customised European cylinders for the Australian market.

The FENTEC™ Euro Cylinder range has been developed to suit the unique needs of the Australian market. It has a large offer of sizes and offset cams, providing flexibility across all thicknesses of doors.

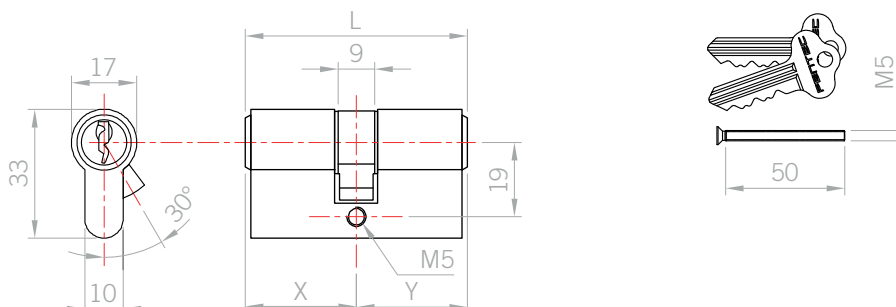
It is available Keyed Alike across the entire range, allowing the ability to offer a complete Keyed Alike solution to the end user. Also, because FENTEC™ uses the C4 keyway, the most common in Australia, it is as simple as visiting the nearest Locksmith to have additional keys cut or even the cylinders completely re-keyed.



## DOUBLE CYLINDER

ITEM CODE	EXTENDED DESCRIPTION	L	X	Y
F-DC3030	60MM EURO PROFILE 5 PIN SC	60	30	30
F-DC3535	70MM EURO PROFILE 5 PIN SC	70	35	35
F-DC4040	80MM EURO PROFILE 5 PIN SC	80	40	40
F-DC4545	90MM EURO PROFILE 5 PIN SC	90	45	45
F-DC4545	95MM EURO PROFILE 5PIN SC	95	45	50
F-DC5050	100MM EURO PROFILE 5 PIN SC	100	50	50
F-DC5555	110MM EURO PROFILE 5 PIN SC	110	55	55
F-DC6060	120MM EURO PROFILE 5 PIN SC	120	60	60

5-Pin C4 Double Cylinder

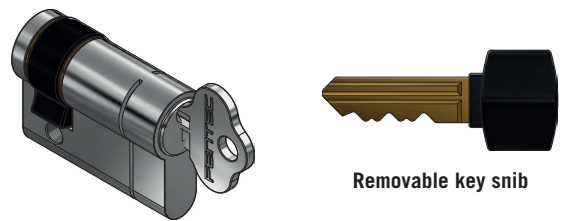


## KEY FEATURES

- Uses the C4 Keyway
- 6 x Key numbers available keyed alike across all sizes
- A range of lengths available including offset cams
- Supplied with two keys and 50mm Cylinder screw
- Half Cylinders also available

## HALF CYLINDER

ITEM CODE	EXTENDED DESCRIPTION	L	X	Y
F-HC40	40MM HALF CYL EURO PROFILE 5 PIN SC	40	10	30
F-HC55	55MM HALF CYL EURO PROFILE 5 PIN SC	55	10	45
F-HC65	65MM HALF CYL EURO PROFILE 5 PIN SC	65	10	55



Removable key snib

## KEY SNIB (ONLY)

ITEM CODE	EXTENDED DESCRIPTION
F-KEY SNIB-1	FENTEC KEY SNIB - KA1
F-KEY SNIB-2	FENTEC KEY SNIB - KA2
F-KEY SNIB-3	FENTEC KEY SNIB - KA3
F-KEY SNIB-4	FENTEC KEY SNIB - KA4
F-KEY SNIB-5	FENTEC KEY SNIB - KA5
F-KEY SNIB-6	FENTEC KEY SNIB - KA6